

# MT610i

Human Machine Interface  
with 10" TFT LCD display



## 【Introduction】

The MT610i is a miniature and compact platform that has no redundant functions. Its RISC kernel, the ARM11 high performance micro-processor, that supports Windows CE. The ARM926EJ core, the integration of a 2D Graphics Accelerator, an added low power mode.

The MT610i is equipped with a USB 1.1 host, a USB 2.0 high speed device and SD card slot.

## ◆ Specifications

- **Construction:** plastic molding housing
- **Display:** 10" 65,536 color TFT LCD
- **CPU and core logic:** 32Bit RISC 400MHz processor
- **DRAM:** 64 MB DDR2 on board
- **Storage:** 128 MB flash memory on board,  
(ResidentFlash: about 100MB)
- **I/O:** 3 serial ports: Com1: RS-232/RS-485 2w/4w,  
Com2: RS-232,  
Com3: RS-232/RS-485 2w  
1 Ethernet port (10/100Base-T)  
1 USB 1.1 host  
1 USB 2.0 high speed device
- **Sound output:** Line out
- **RTC:** Built-in
- **Power input:** 24±20%V<sub>DC</sub>, 300mA@24VDC
- **Dimension (W x H x D):** 271 x 212 x 50mm
- **Weight:** 1.4kg
- **Software:** Windows CE.net 5.0

## ◆ Features

- 10" 800x480 TFT LCD
- Fan-less cooling system
- Built-in flash memory and RTC
- NEMA4/IP65 compliant front panel
- LED Back Light
- One USB Host and one USB client port
- SD card slot
- Power Isolator inside

## ◆ LCD Display

Display type	TFT LCD
Display size (diagonal)	10"
Max colors	65536
Resolution	800 x 480
Viewing angle (°)	45/65/65/65(T/B/R/L)
Luminance (cd/m <sup>2</sup> )	300
Backlight	LED
Backlight Life time	30,000 hrs.
Contrast ratio	500:1

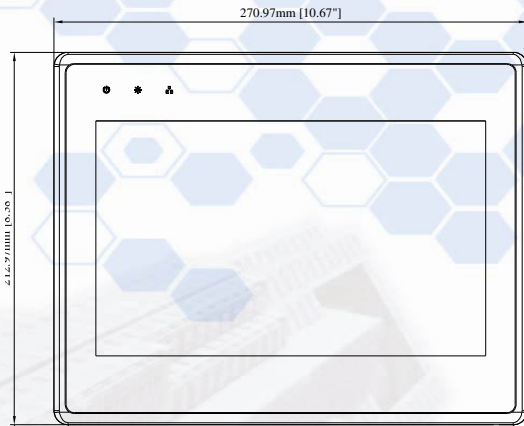
## ◆ Touchscreen

- **Type:** 4-wire, analog resistive
- **Resolution:** continuous
- **Light transmission:** above 80%
- **Life:** 1 million activation minimum

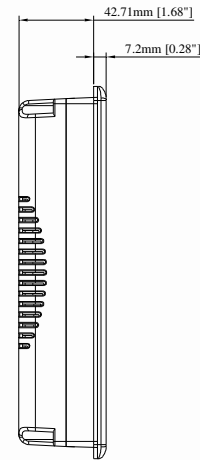
## ◆ Environmental Specifications

- **Operating temperature:** 0° ~ 50°C (32° ~ 122°F)
- **Storage temperature:** -20° ~ 60°C (-4° ~ 140°F)
- **Relative humidity:** 10% ~ 90% @ 40°C, non-condensing
- **Shock (operation):** 10 to 25Hz(X,Y,Z direction 2G 30minutes)
- **CE/FCC :** Complies with EN 55022:2006, Class A  
EN 61000-3-2:2006  
EN 61000-3-3:1995+A1:2001+A2:2005  
EN 55024:1998+A1:2001+A2:2003
- **Front panel meets NEMA4 / IP65**

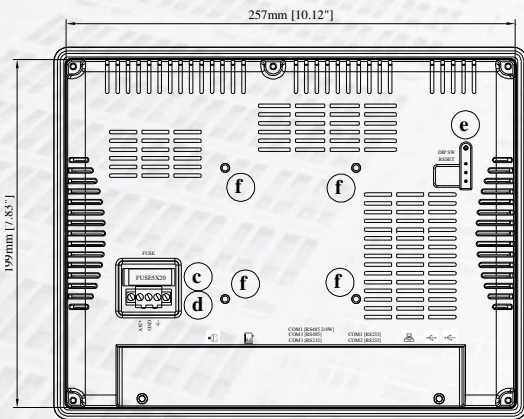
## Dimensions Drawing



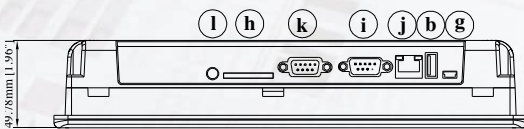
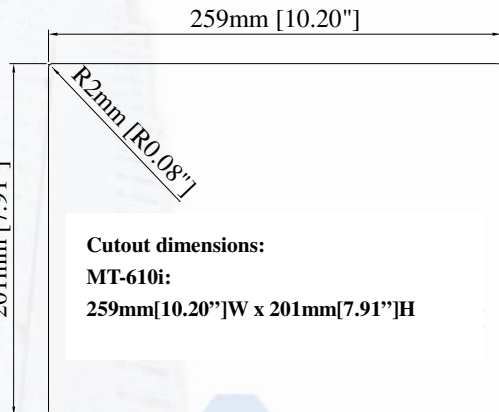
Front View



Side View



Rear View



Bottom View

a	N/A	g	USB Client port
b	USB Host port	h	SD card slot
c	Fuse	i	Com1[232], Com2[232]
d	Power connector	j	Ethernet port (RJ-45)
e	DIP SW & Reset button	k	Com1 RS485, Com3 RS485, Com3 RS232
f	VESA 75mm screw holes	l	Line Out

## Ordering Information

- MT610i:**  
 10" 800x480 TFT LCD HMI, 128MB flash memory/64MB DDR2 RAM on board.
- RP0006100:**  
 10" Protective Sheet, for MT610i, MT6100i, MT8100i (without USB port)